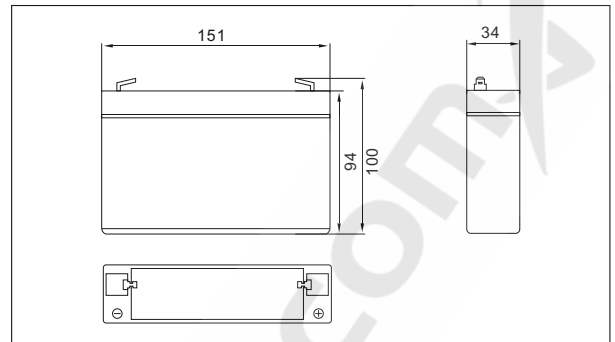




**SW672 (6V7.2AH)**



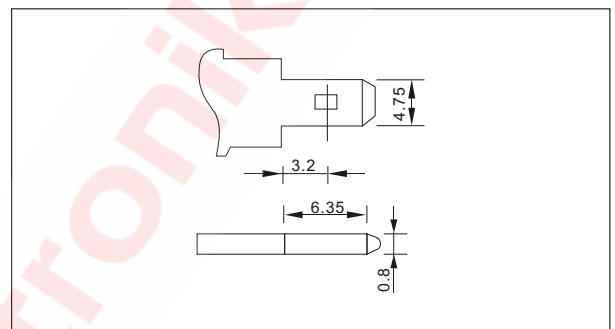
● **Outer dimensions (mm)**



● **Specifications**

Nominal Voltage		6 V
Rated capacity (20 hour rate)		7.2 Ah
Dimensions	Total Height	100 mm(3.94 inches)
	Height	94 mm(3.70 inches)
	Length	151 mm(5.94 inches)
	Width	34 mm(1.34 inches)
Weight Approx		1.10 Kg(2.42lbs)

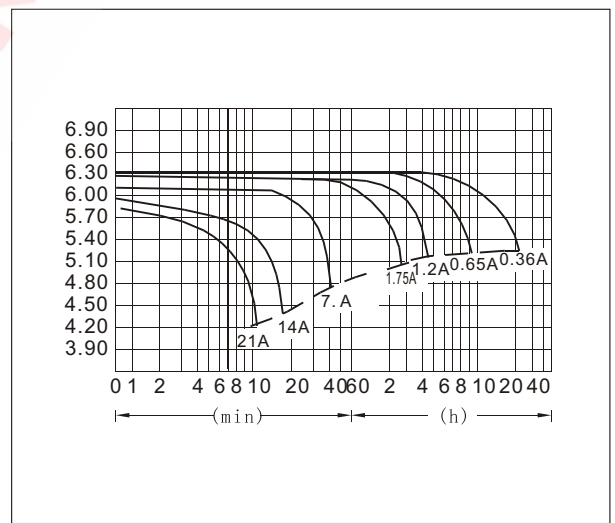
● **Terminal Type (mm)**



● **Characteristics**

Capacity 25°C(77°F)	20 hour rate(0.36A)	7.20 AH
	10 hour rate(0.65A)	6.50 AH
	5 hour rate(1.20A)	6.00 AH
	1 hour rate(4.32A)	4.32 AH
	1.5 hour discharge to 5.25 V	2.88 A
Internal Resistance	Full charged Battery at 25°C(77°F)	12 mΩ
Capacity affected by Temperature (20hour rate)	40°C(104°F)	102%
	25°C(77°F)	100%
	0°C(32°F)	85%
	-15°C(5°F)	65%
Self-Discharge at 25°C(77°F)	Capacity after 3 month storage	91%
	Capacity after 6 month storage	82%
	Capacity after 12 month storage	64%
Terminal		T1, T2
Charge (constant Voltage)	Cycle	Initial Charging Current less than 2.88A Voltage 7.05-7.20V
	Float	Voltage 6.75-6.90V

● **Discharge Curves 25°C(77°F)**



**Constant Current(Amp) and Constant Power(Watt) Discharge Table at 25°C(77°F)**

Time		5min	10min	15min	30min	1h	2h	3h	4h	5h	8h	10h	20h
4.80V	A	25.9	17.0	12.6	8.28	4.32	2.52	1.85	1.49	1.26	0.83	0.68	0.37
	W	135	91.2	67.5	44.5	23.3	13.8	10.3	8.37	7.18	4.78	3.93	2.16
5.10V	A	23.8	16.3	11.6	7.86	4.06	2.42	1.80	1.44	1.24	0.82	0.67	0.36
	W	128	90.9	64.8	44.1	22.9	13.9	10.4	8.37	7.22	4.79	3.93	2.13
5.25V	A	21.6	15.2	10.8	7.62	3.92	2.37	1.77	1.37	1.22	0.81	0.66	0.36
	W	119	86.4	61.6	43.8	22.7	13.7	10.3	8.00	7.18	4.76	3.92	2.13
5.40V	A	20.8	14.5	10.1	7.41	3.79	2.31	1.74	1.34	1.17	0.79	0.64	0.35
	W	117	83.7	58.1	42.9	22.1	13.5	10.3	7.93	6.91	4.67	3.83	2.09
5.55V	A	19.2	13.7	9.36	7.20	3.66	2.25	1.65	1.32	1.12	0.77	0.63	0.34
	W	109	79.2	54.5	42.1	21.5	13.3	9.8	7.86	6.68	4.60	3.80	2.07